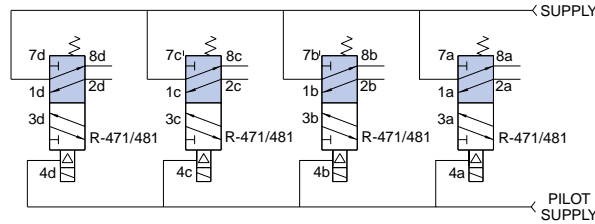




STANDARD PNEUMATIC CIRCUIT BOARDS

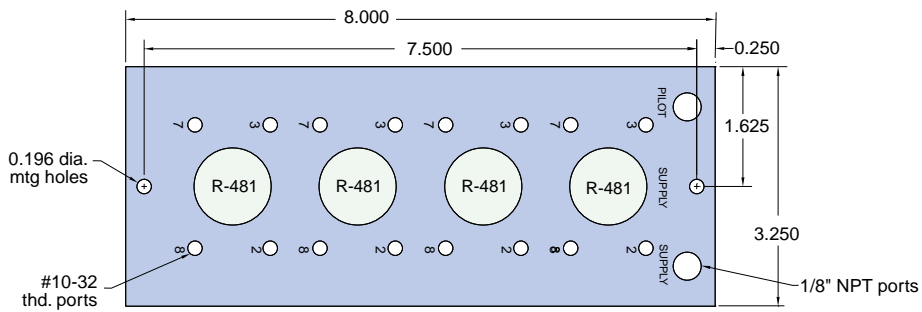
CM-019

Circuit Board for 4 R-471/481 4-Way Valves



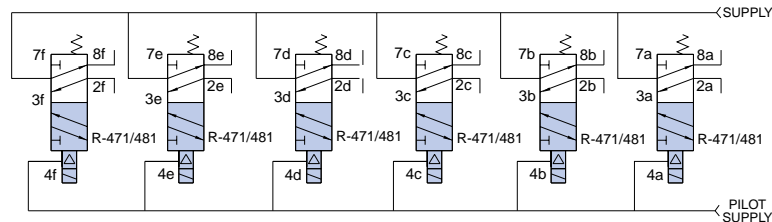
Size: 3 1/4" x 8" x 9/16" thick - 4 modules

Use: Convenient and compact mounting for a group of four electronically piloted or low pressure piloted 4-way modular valves. Separate main valve supply and pilot supply #10-32 ports provided for access to exhaust for speed control.



CM-020

Circuit Board for 6 R-471/481 4-Way Valves



Size: 3 1/4" x 11 1/2" x 9/16" thick - 6 modules

Use: Convenient and compact mounting for a group of six electronically piloted or low pressure piloted 4-way modular valves. Separate main valve supply and pilot supply for solenoids. #10-32 ports provided for access to exhaust for speed control.

